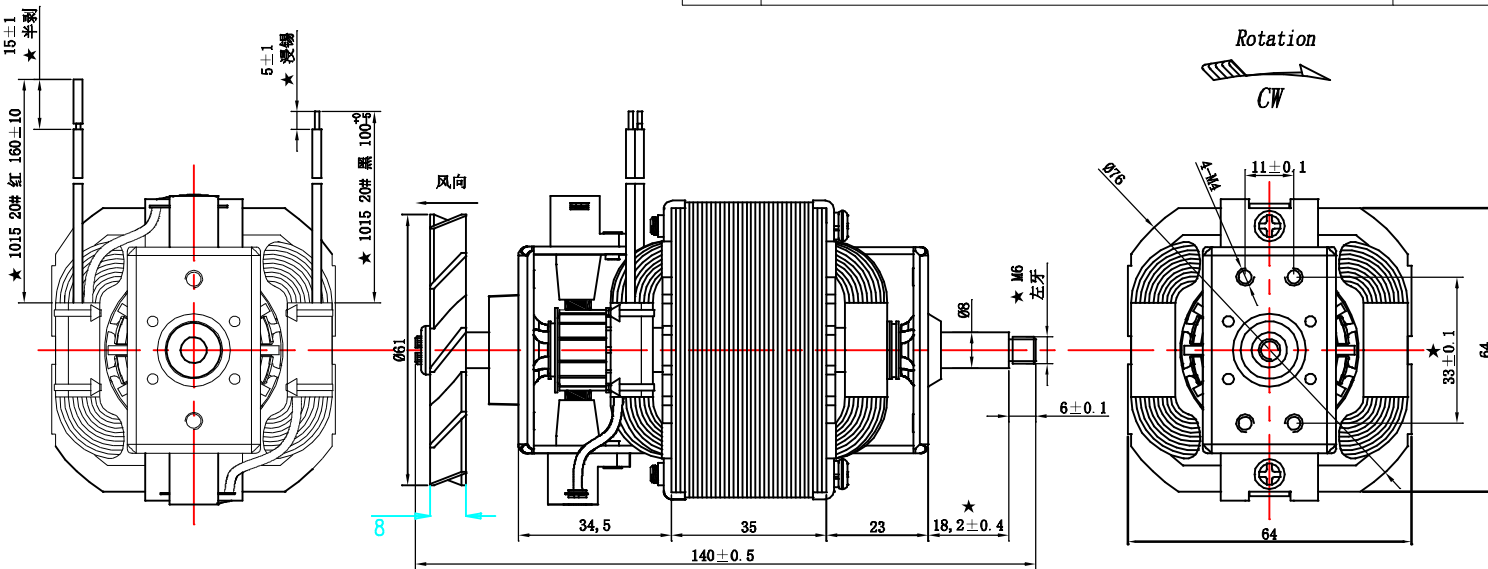


REV	DESCRIPTION	DATE	BY
A	FIRST ISSUE		

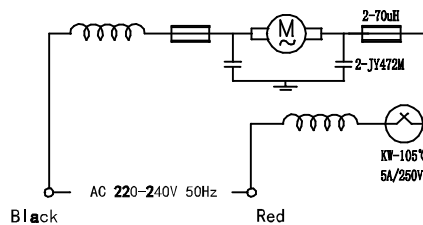
Rohs Compliance



Notes:

- Voltage with Frequency(电压和频率): 230V/50Hz
- Rotation(转向): CW
- No-load Performance(空载性能)
No-load Speed(空载转速): 21500±15%
No-load Current(空载电流): 0.70±15%
No-load Power(空载功率): 155±15%
- On load Performance(负载性能)
On load Speed(负载转速): 10000±10%
On load Current(负载电流): 2.0±10%
On load Power(负载功率): 450±10%
- Torque(扭矩):
- Choke(电感): 70uH/2pcs
- Capacitance(电容): JY472M/2pcs
- Fuse or Thermostat(保险丝或者温控): 105°
- Temperture Rise(温升): 95°
- Insulation Grade(绝缘等级): classB
- Withstand Voltage(耐压): 1500V/10ma/1sec
- Life(寿命):
- Noise(噪音):

CIRCUIT DIAGRAM



Label content:

OD-7635M230
220-240V/50Hz
MADE IN CHINA

Permissible deviations for linear dimensions	
>0.5	>3
0.3	0.6
±0.1	±0.2

DWN. BY		CHK. BY		APP. BY	
Date(yyyymmdd)		Date(yyyymmdd)		Date(yyyymmdd)	
MATERIAL:					
FINISH:					
General Tolerance ISO 2768-1 Class m (Unless specified)					
ALL DIMENSIONS ARE IN MILLIMETRES					
SHENZHEN ODIN IMPORT AND EXPORT CO., LTD				DWG NO. OD-7635M23	
				SHEET 1 OF 1	